

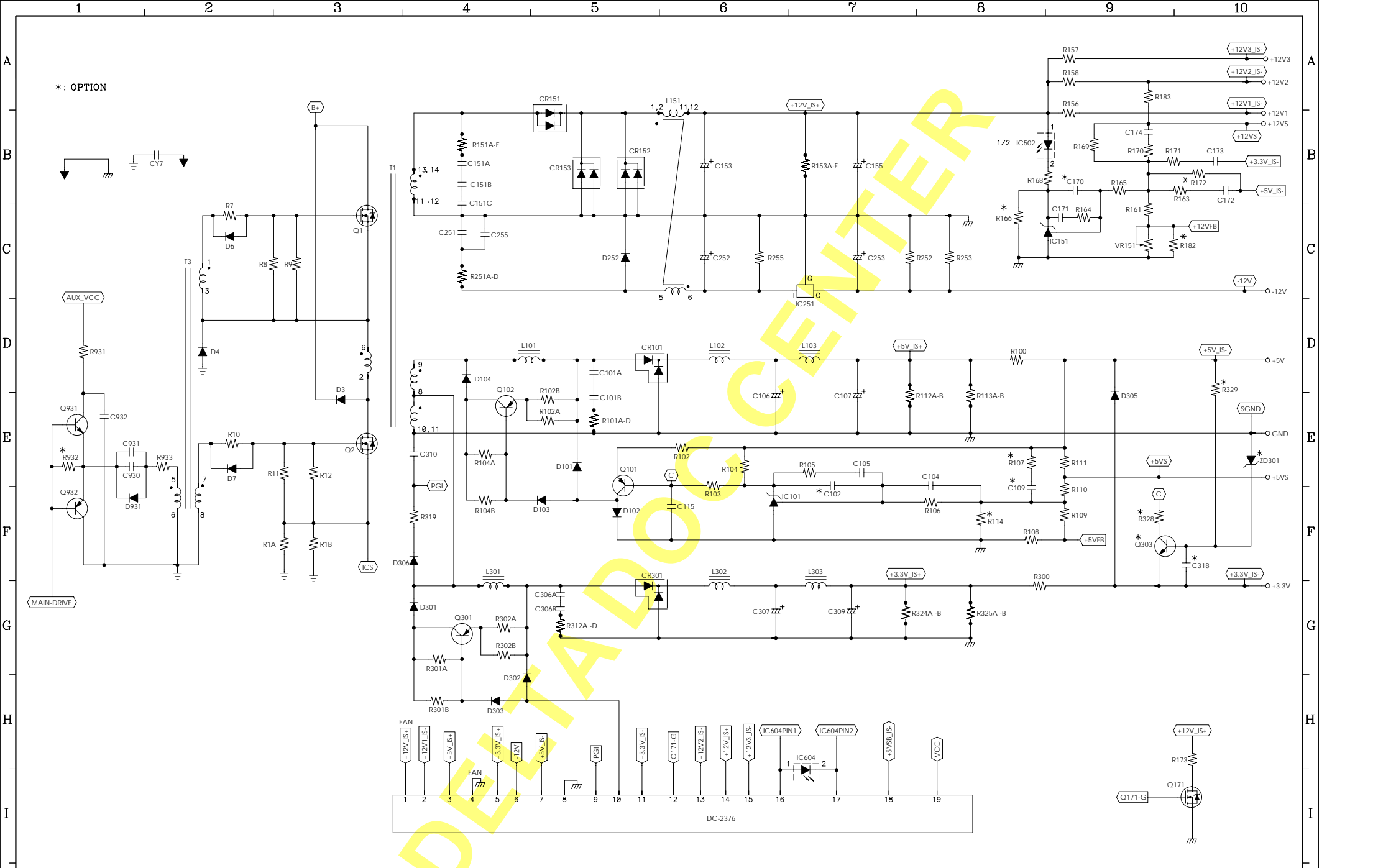
THESE DRAWINGS AND SPECIFICATIONS ARE THE PROPERTY OF DELTA ELECTRONICS, INC. AND SHALL NOT BE REPRODUCED OR USED AS THE BASIS FOR THE MANUFACTURE OR SELL OF APPARATUSES OR DEVICES WITHOUT PERMISSION.

Date: 11/30/06'	LY.REV: 2	Drawn: QIONG
PWB: GPS650APR2C0	FILE NAME: GPS650AP\$R2	
DESCRIPTION: SCHEMATIC OF SWITCHING POWER SUPPLY		

Checked
SQ.Wang
11/30/06'

Approved
Z.YI
11/30/06'

PART NO.	REV.	SHEET
GPS-650AB A	00	01 OF 04

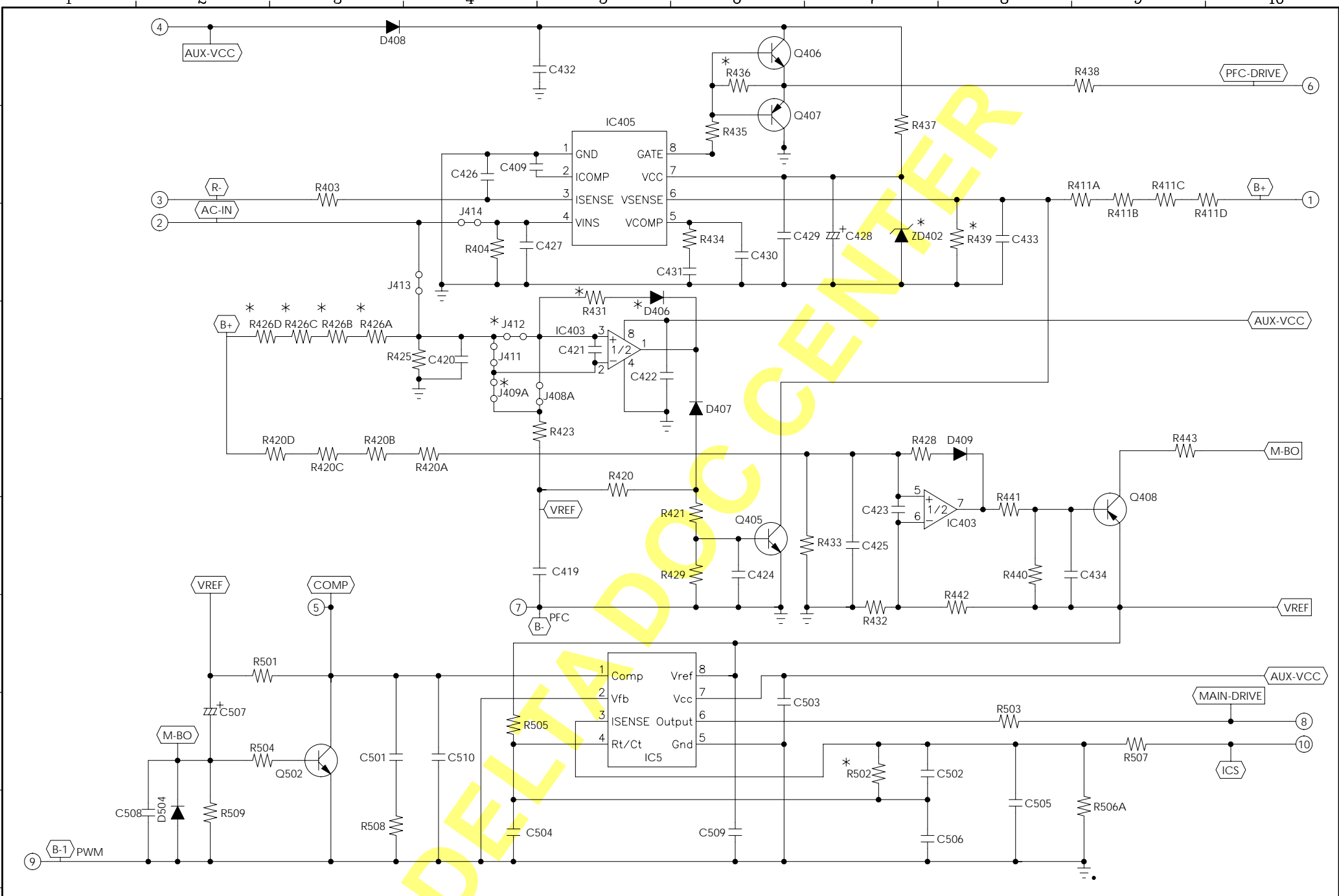


DELTA DELTA ELECTRONICS, INC.
 THESE DRAWINGS AND SPECIFICATIONS ARE THE PROPERTY OF DELTA ELECTRONICS, INC. AND SHALL NOT BE REPRODUCED OR USED AS THE BASIS FOR THE MANUFACTURE OR SELL OF APPARATUSES OR DEVICES WITHOUT PERMISSION.

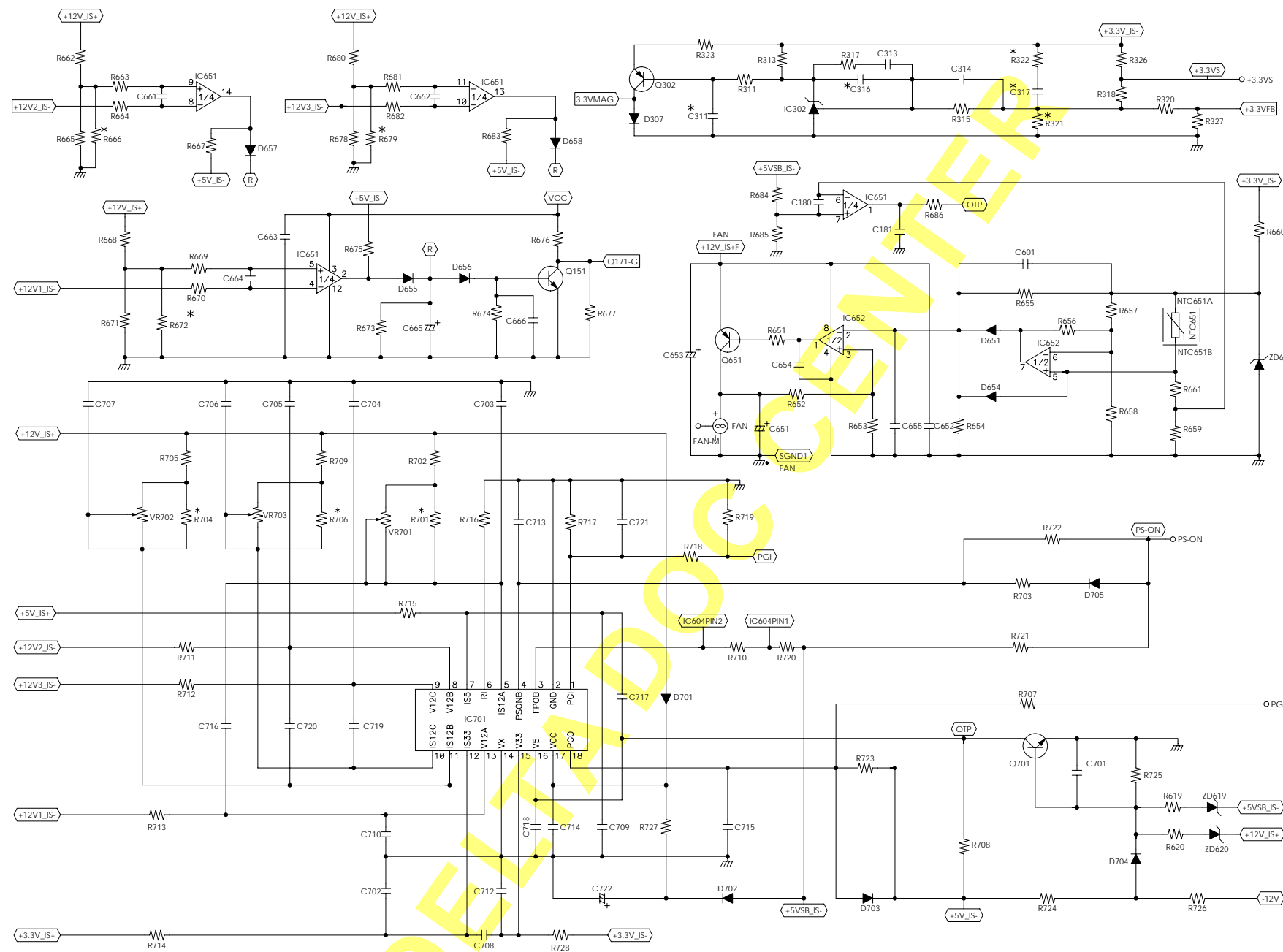
Date: 11/30/06' LY.REV: 2 Drawn: QIONG
 PWB: GPS650APR2C0 FILE NAME: GPS650APR2
 DESCRIPTION: SCHEMATIC OF SWITCHING POWER SUPPLY

Checked: SQ.Wang 11/30/06'
 Approved: Z.YI 11/30/06'

PART NO: GPS-650AB A
 REV: 00 SHEET: 02 OF 04



Date: 11/30/06'	LY.REV: 2	Drawn: QIONG	Checked	Approved	PART NO.	REV.	SHEET
PWB:DC2375R1C0	FILE NAME: DC2375R2		SQ.Wang	Z.YI	GPS-650AB A	00	03 OF 04
DESCRIPTION: SCHEMATIC OF SWITCHING POWER SUPPLY			11/30/06'	11/30/06'			



- ① +12V_IS+ FAN
- ② +12V1_IS-
- ③ +5V_IS+
- ④ SGND1 FAN
- ⑤ +3.3V_IS+
- ⑥ -12V
- ⑦ +5V_IS-
- ⑧ SGND
- ⑨ PGI
- ⑩ 3.3VMAG
- ⑪ +3.3V_IS-
- ⑫ Q171-G
- ⑬ +12V2_IS-
- ⑭ +12V_IS+
- ⑮ +12V3_IS-
- ⑯ IC604PIN1
- ⑰ IC604PIN2
- ⑱ +5V5B_IS-
- ⑲ VCC



THESE DRAWINGS AND SPECIFICATIONS ARE THE PROPERTY OF DELTA ELECTRONICS, INC. AND SHALL NOT BE REPRODUCED OR USED AS THE BASIS FOR THE MANUFACTURE OR SELL OF APPARATUS OR DEVICES WITHOUT PERMISSION.

Date: 11/30/06'	LY.REV: 2	Drawn: QIONG	Checked	Approved	PART NO.	REV.	SHEET
PWB: DC2376R1C0	FILE NAME: DC2376R2		SQ.Wang	Z.YI	GPS-650AB A	00	04 OF 04
DESCRIPTION: SCHEMATIC OF SWITCHING POWER SUPPLY			11/30/06'	11/30/06'			