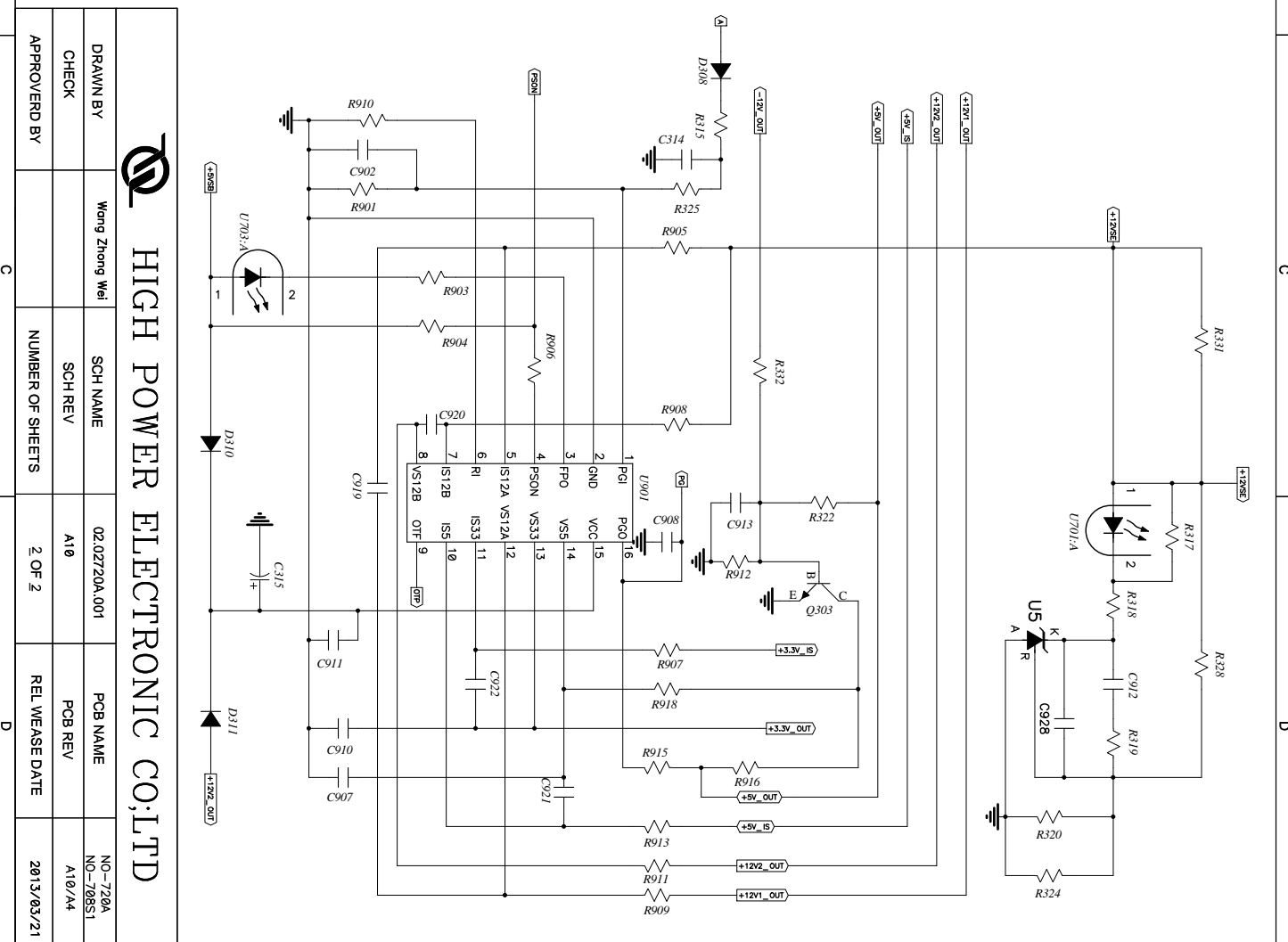
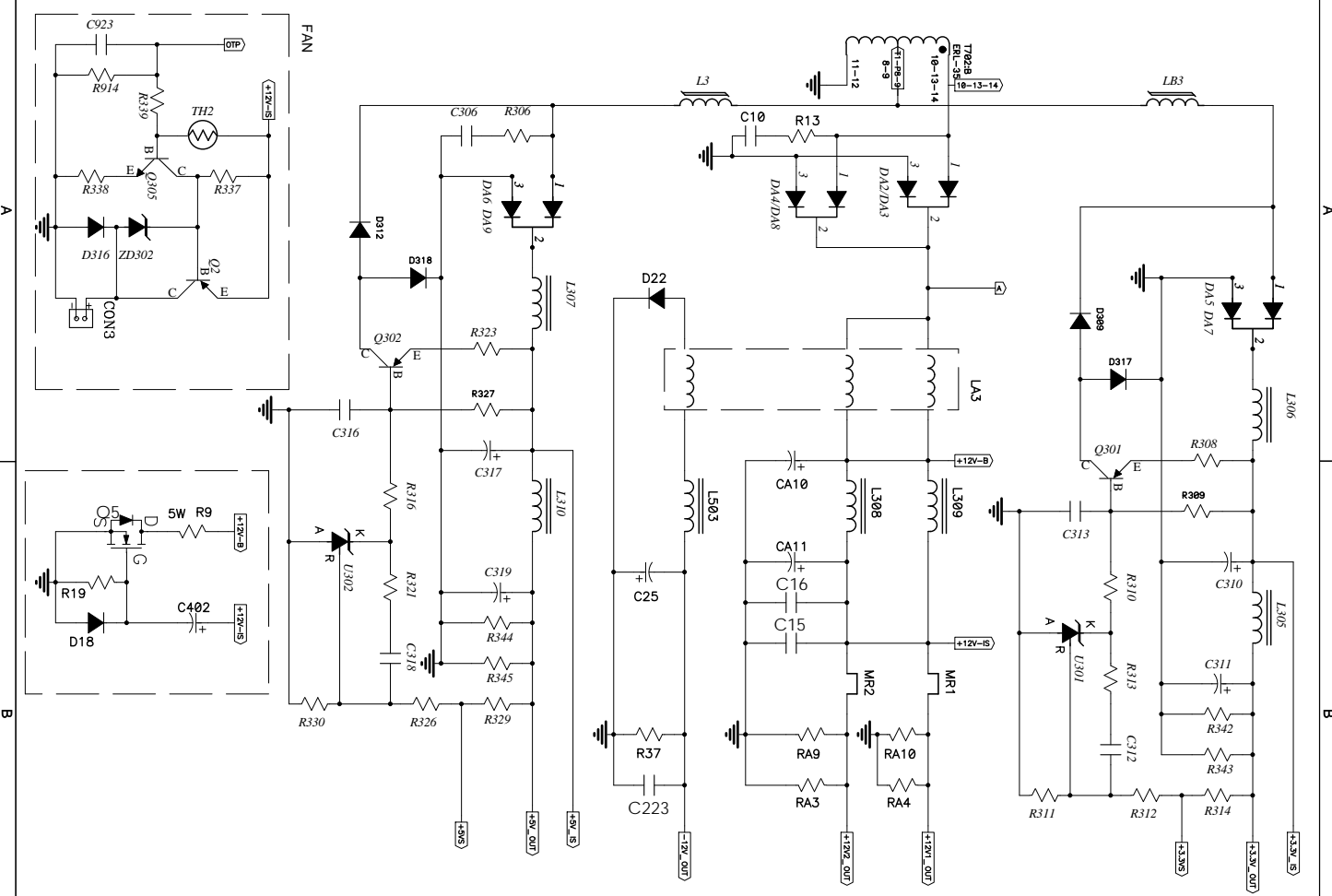
 HIGH POWER ELECTRONIC CO.,LTD		DRAWN BY	Wang Zhong Wei	SCH NAME	02.02720A.001	PCB NAME	NO-728A
		CHECK		SCH REV	A10	PCB REV	NO-705S1
APPROVED BY		NUMBER OF SHEETS	2 OF 1	REL WEASE DATE	2013/03/21		



		DRAWN BY		SCH NAME		PCB NAME	
		Wang Zhong Wei		02.02720A.001		NO-720A	
		CHECK		SCH REV		PCB REV	
				A10		A10/A4	
		APPROVED BY		NUMBER OF SHEETS		REL WEASE DATE	
				2 OF 2		2013/03/21	