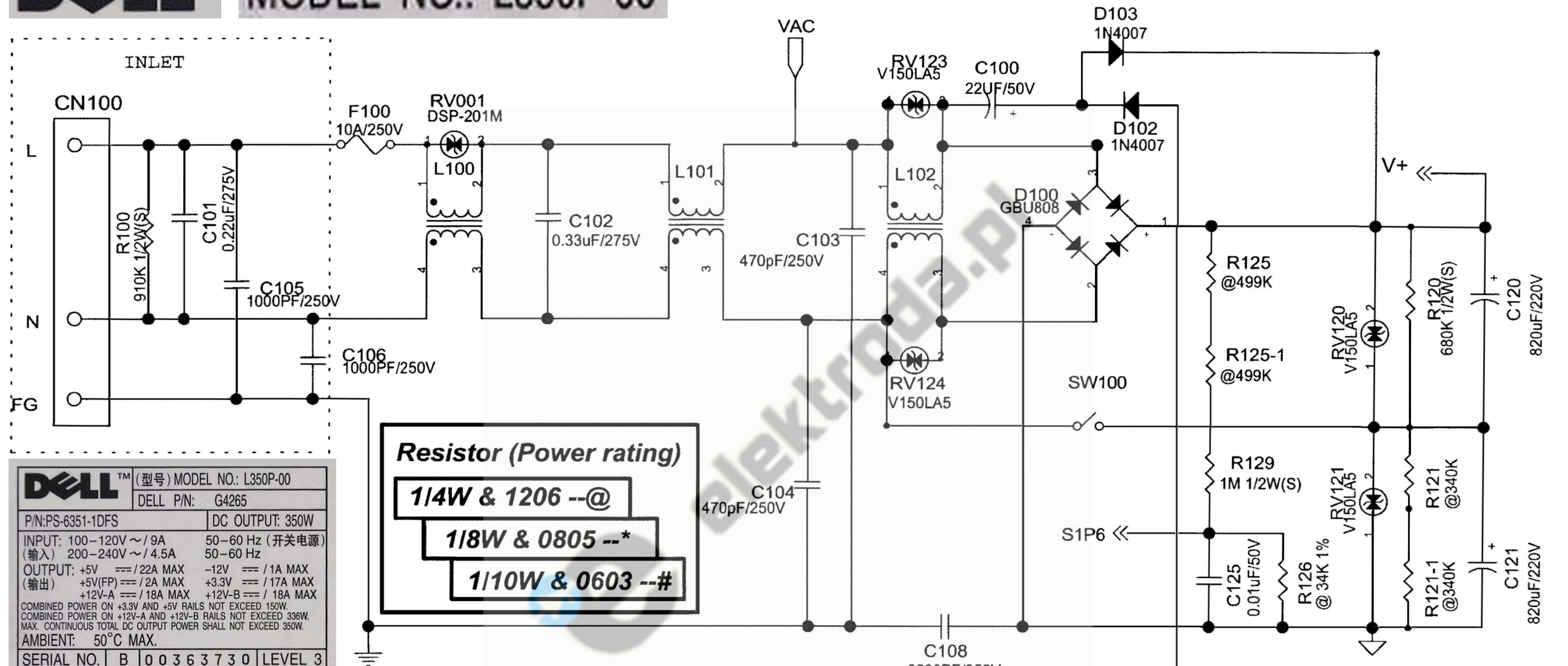




MODEL NO.: L350P-00



Resistor (Power rating)

1/4W & 1206 --@

1/8W & 0805 --*

1/10W & 0603 --#

LITEON ELECTRONICS, INC.
PS-6351-1DFS (INLET)



DELL™ (型号) MODEL NO.: L350P-00
 DELL P/N: G4265

P/N: PS-6351-1DFS DC OUTPUT: 350W

INPUT: 100-120V ~ / 9A 50-60 Hz (开关电源)
 (输入) 200-240V ~ / 4.5A 50-60 Hz

OUTPUT: +5V == / 22A MAX -12V == / 1A MAX
 (输出) +5V(FP) == / 2A MAX +3.3V == / 17A MAX
 +12V-A == / 18A MAX +12V-B == / 18A MAX

COMBINED POWER ON +3.3V AND +5V RAILS NOT EXCEED 150W.
 COMBINED POWER ON +12V-A AND +12V-B RAILS NOT EXCEED 336W.
 MAX. CONTINUOUS TOTAL DC OUTPUT POWER SHALL NOT EXCEED 350W.
 AMBIENT: 50°C MAX.

SERIAL NO. B 00363730 LEVEL 3

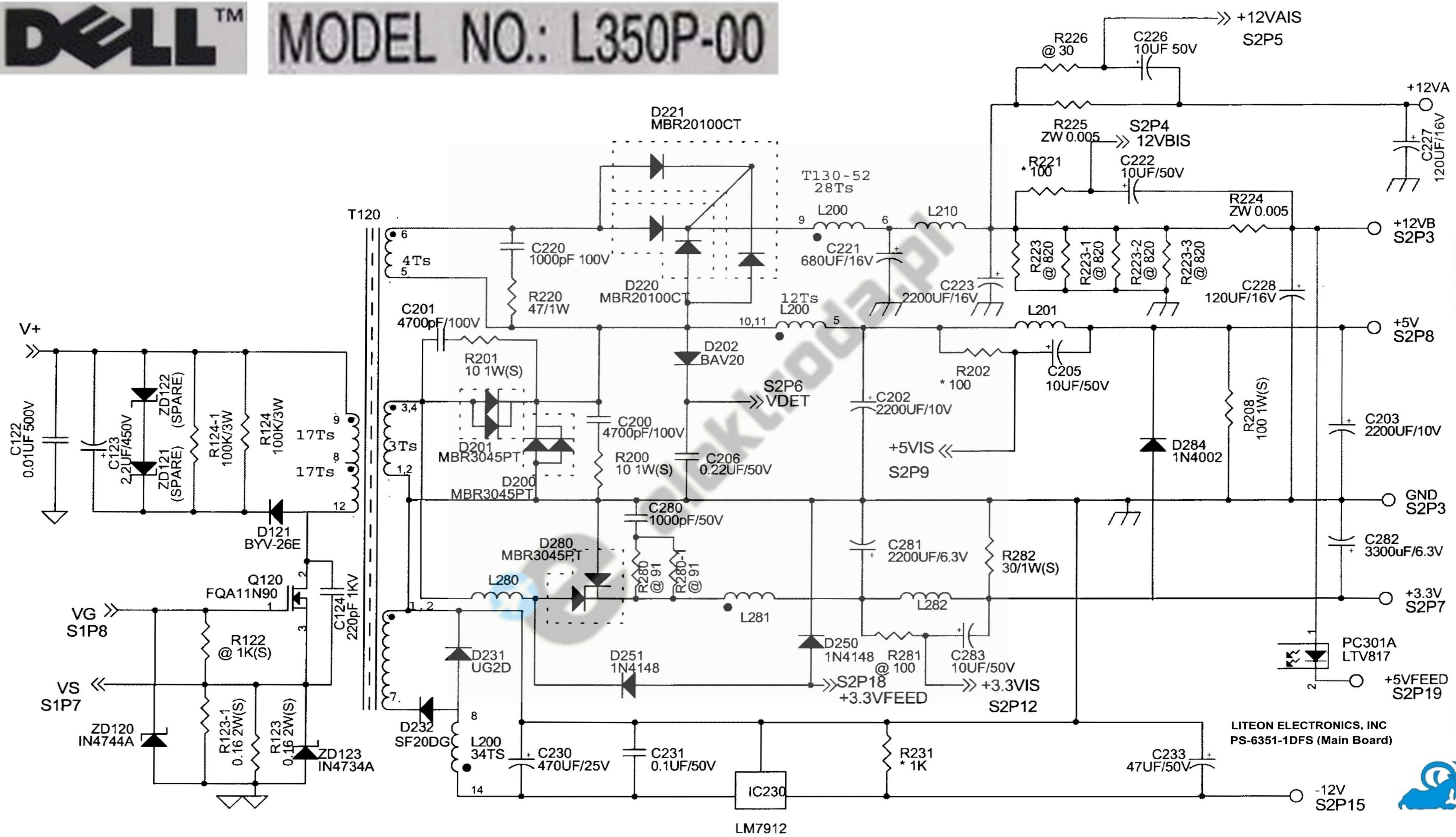
警告: 限使用于信息技术设备及室内使用
 CAUTION: DISCONNECT POWER BEFORE SERVICING
 ATTENTION: COUPER LE COURANT AVANT L'ENTRETIEN
 VORSICHT! GEFÄHRENZONE!
 Abdeckung unter keinen Umständen abnehmen!
 Es sind keine zu wartenden Bauteile enthalten!

REGULATORY:

Made in China (中国制造) CM-1



MODEL NO.: L350P-00

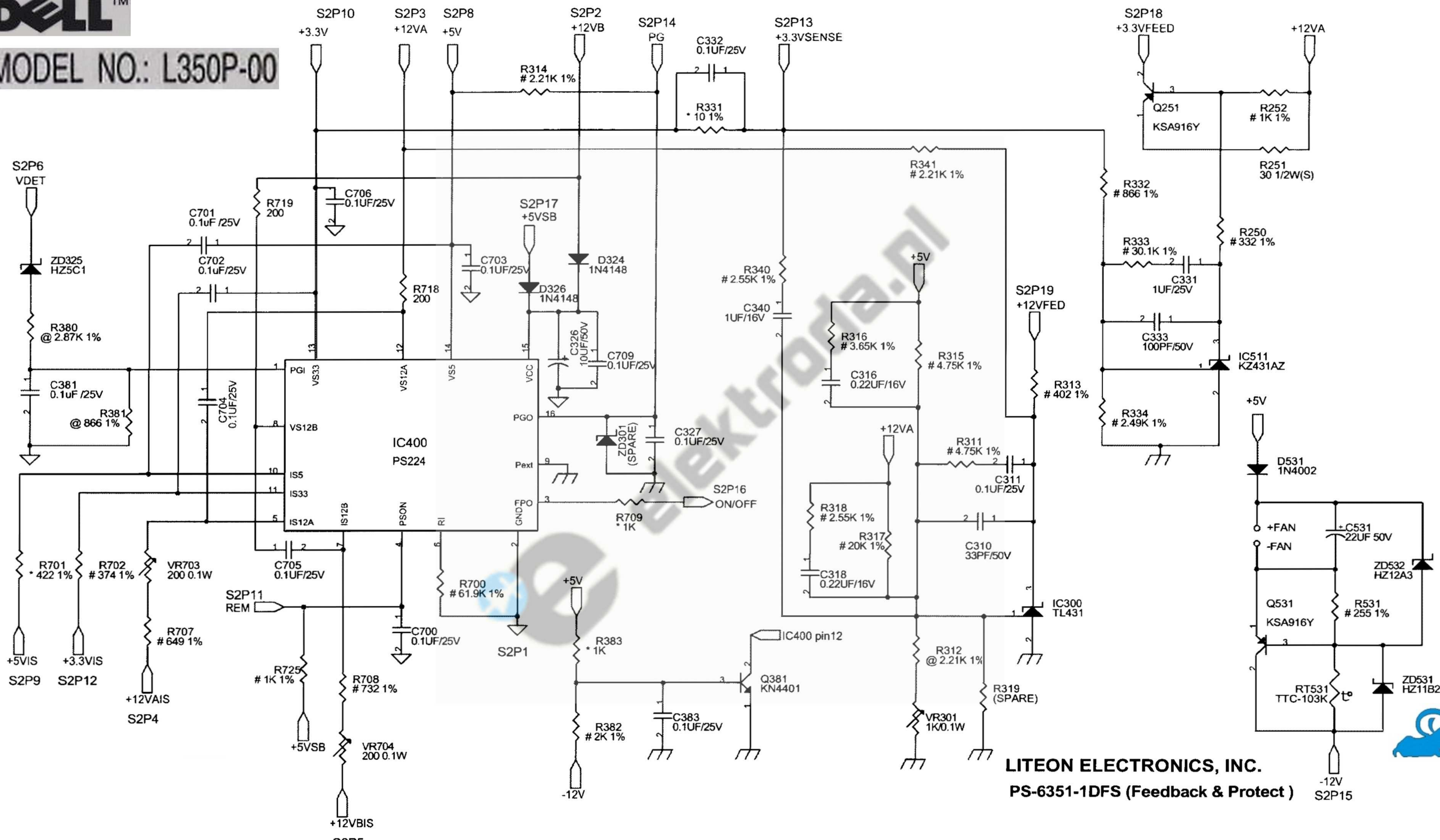


LITEON ELECTRONICS, INC
PS-6351-1DFS (Main Board)





MODEL NO.: L350P-00

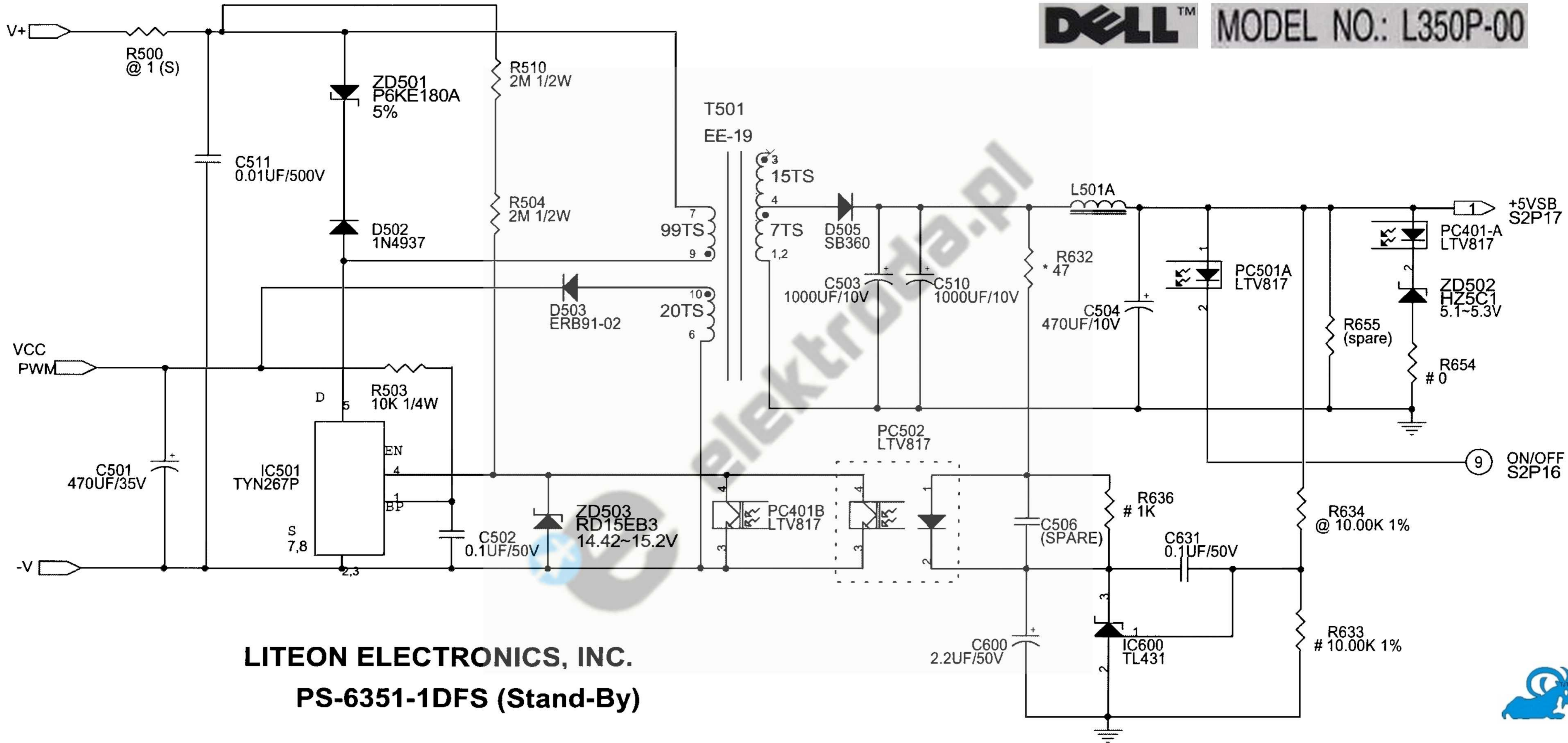


LITEON ELECTRONICS, INC.
PS-6351-1DFS (Feedback & Protect)





MODEL NO.: L350P-00



LITEON ELECTRONICS, INC.
PS-6351-1DFS (Stand-By)





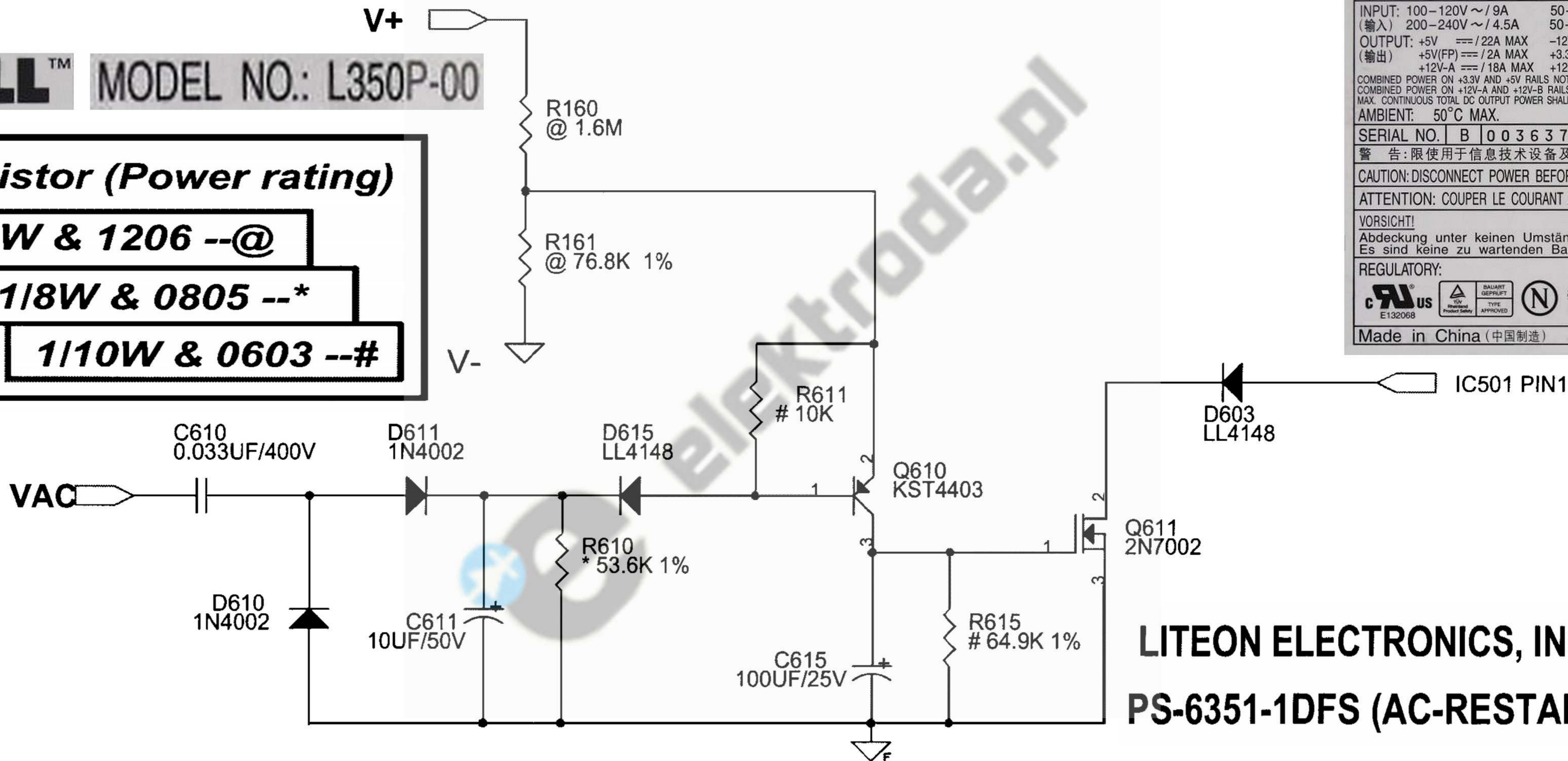
MODEL NO.: L350P-00

Resistor (Power rating)

1/4W & 1206 --@

1/8W & 0805 --*

1/10W & 0603 --#



DELL™ (型号) MODEL NO.: L350P-00	
DELL P/N: G4265	
P/N:PS-6351-1DFS	DC OUTPUT: 350W
INPUT: 100-120V ~ / 9A	50-60 Hz (开关电源)
(输入) 200-240V ~ / 4.5A	50-60 Hz
OUTPUT: +5V == / 22A MAX	-12V == / 1A MAX
(输出) +5V(FP) == / 2A MAX	+3.3V == / 17A MAX
+12V-A == / 18A MAX	+12V-B == / 18A MAX
COMBINED POWER ON +3.3V AND +5V RAILS NOT EXCEED 150W.	
COMBINED POWER ON +12V-A AND +12V-B RAILS NOT EXCEED 336W.	
MAX. CONTINUOUS TOTAL DC OUTPUT POWER SHALL NOT EXCEED 350W.	
AMBIENT: 50°C MAX.	
SERIAL NO. B 00363730	LEVEL 3
警告: 限使用于信息技术设备及室内使用	
CAUTION: DISCONNECT POWER BEFORE SERVICING	
ATTENTION: COUPER LE COURANT AVANT L'ENTRETIEN	
VORSICHT! GEFAHRENZONE!	
Abdeckung unter keinen Umständen abnehmen!	
Es sind keine zu wartenden Bauteile enthalten!	
REGULATORY:	
Made in China (中国制造)	
CM-1	

LITEON ELECTRONICS, INC.
PS-6351-1DFS (AC-RESTART)