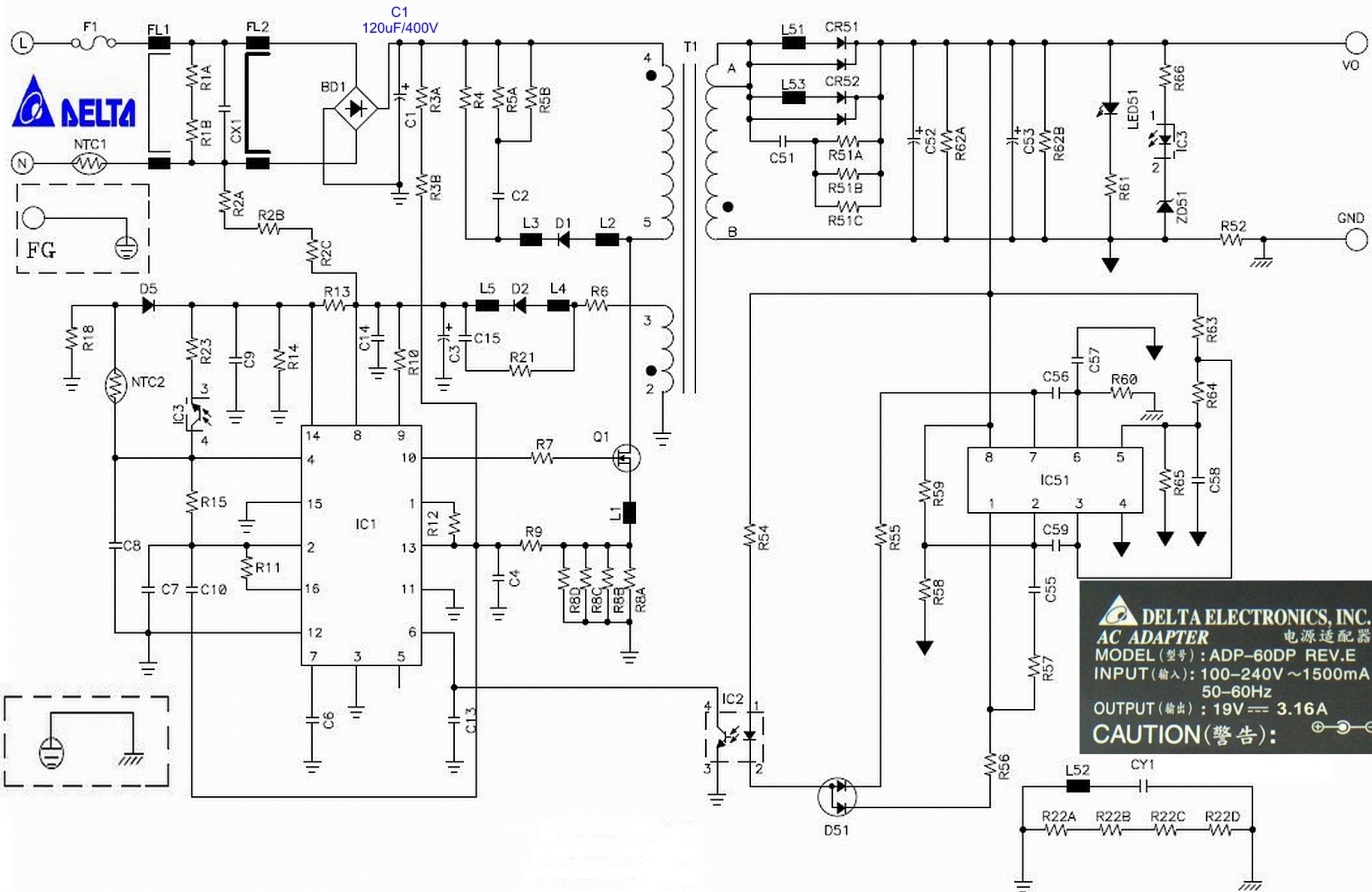


# Delta Electronics INC model: ADP-60DP OUT: 19V/3.16A



**DELTA ELECTRONICS, INC.**  
**AC ADAPTER** 电源适配器  
 MODEL (型号): ADP-60DP REV.E  
 INPUT (输入): 100-240V ~1500mA  
 50-60Hz  
 OUTPUT (输出): 19V = 3.16A  
**CAUTION (警告):** ⚠