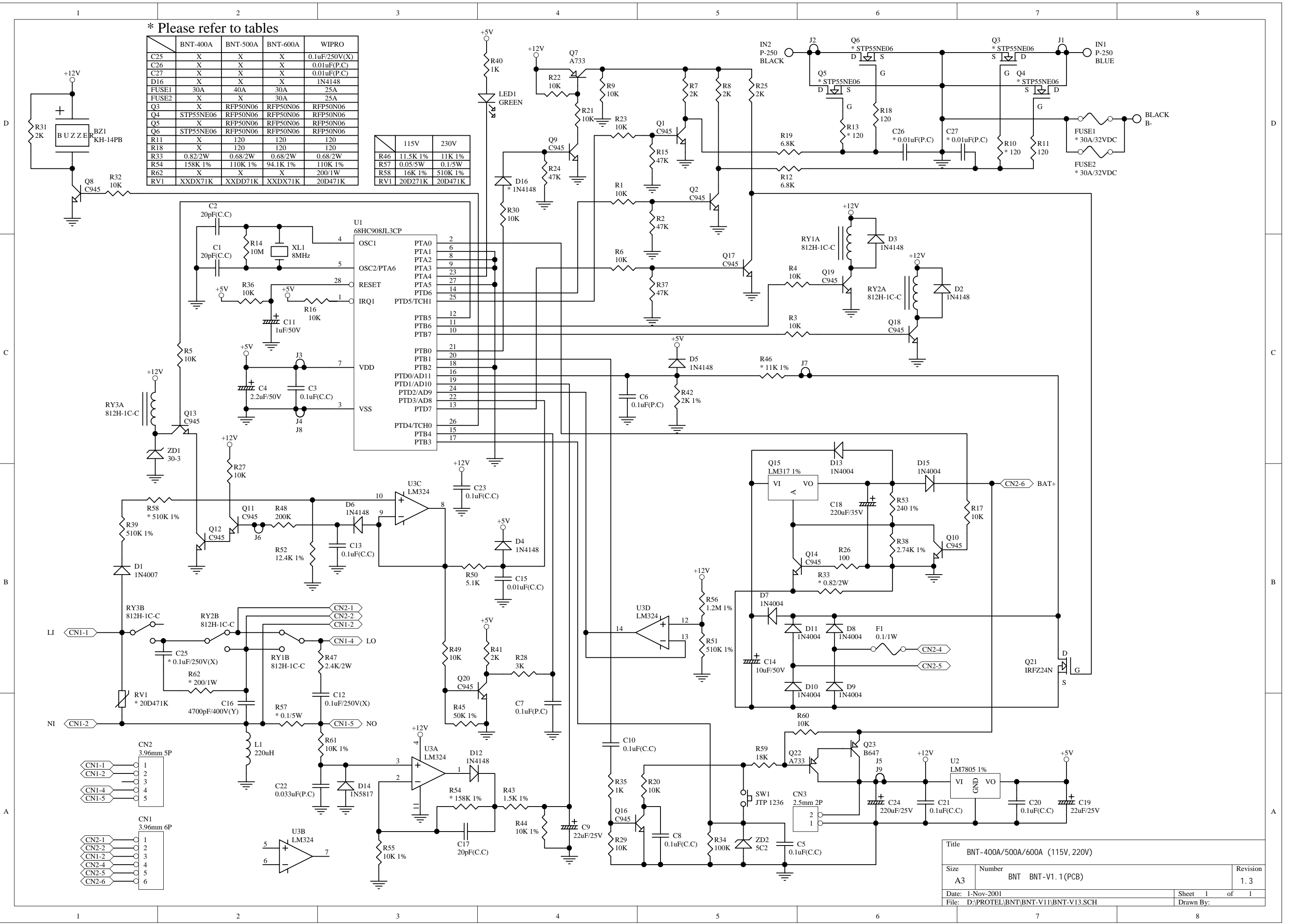


* Please refer to tables

	BNT-400A	BNT-500A	BNT-600A	WIPRO
C25	X	X	X	0.1uF/250V(X)
C26	X	X	X	0.01uF(P.C)
C27	X	X	X	0.01uF(P.C)
D16	X	X	X	1N4148
FUSE1	30A	40A	30A	25A
FUSE2	X	X	30A	25A
Q3	X	RFP50N06	RFP50N06	RFP50N06
Q4	STP55NE06	RFP50N06	RFP50N06	RFP50N06
Q5	X	RFP50N06	RFP50N06	RFP50N06
Q6	STP55NE06	RFP50N06	RFP50N06	RFP50N06
R11	X	120	120	120
R18	X	120	120	120
R33	0.82/2W	0.68/2W	0.68/2W	0.68/2W
R54	158K 1%	110K 1%	94.1K 1%	110K 1%
R62	X	X	X	200/1W
RV1	XXDX71K	XXDD71K	XXDX71K	20D471K

	115V	230V
R46	11.5K 1%	11K 1%
R57	0.05/5W	0.1/5W
R58	16K 1%	510K 1%
RV1	20D271K	20D471K



Title BNT-400A/500A/600A (115V, 220V)		
Size A3	Number BNT BNT-V1.1(PCB)	Revision 1.3
Date: 1-Nov-2001	Sheet 1 of 1	Drawn By:
File: D:\PROTEL\BNT\BNT-V11\BNT-V13.SCH		